

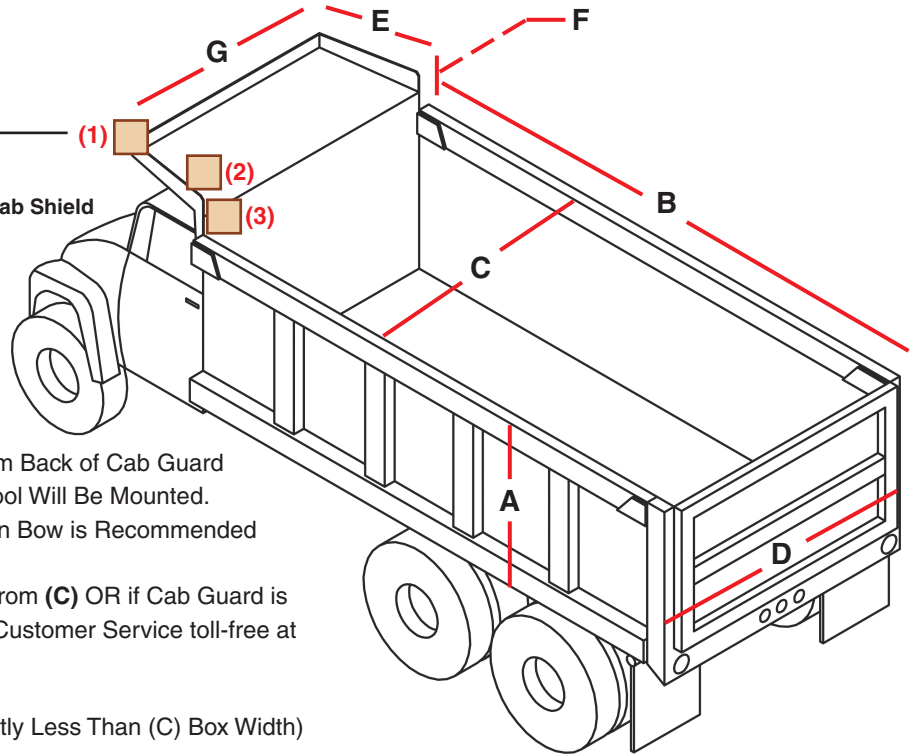
TarpMaster® Spec & Order Sheet: Trucks

Please use inches for unit measurement.

Spool Position:

Check One Box To Show Mounted Spool Position :

- (1) Front of Cab Shield
- (2) Rear Positioned on Top of Cab Shield
- (3) Forward Positioned on Box Top/Behind Cab Shield



Box: _____ " (A) Height
 _____ " (B) Length
 _____ " (C) Width (inside)
 _____ " (D) Outside Width of Widest Point
 —If Tailgate is Over 100"

Cab Shield: _____ " (E) Length —OR— Distance From Back of Cab Guard to Where Spool Will Be Mounted.
 _____ " (F) Rise: —If 8" or More, Tension Bow is Recommended
 _____ " (G) Front Width
 **If Width Varies Considerably from (C) OR if Cab Guard is Tapered, Please Call Roll-Rite Customer Service toll-free at 1-800-297-9905

Tarp Size: _____ " Width (Generally Should Be Slightly Less Than (C) Box Width)

(Required*) _____ " Length = _____ + _____ + _____ + 24" (2 feet)
 (B) (E) (F)

Pivot Springs: **Determining Spring Capacity:**
 Above tarp length calculation and your tarp material determines the number of springs your system requires.

| General Aggregate (Mesh) Tarp Applications | | | | | | | |
|--|------|------|----------|------|------|----------|------|
| 10ft | 12ft | 14ft | 16ft | 18ft | 20ft | 22ft | 24ft |
| 3-Spring | | | 4-Spring | | | 5-Spring | |

| Asphalt (Solid) Tarp Applications | | | | | | | |
|-----------------------------------|------|------|------|----------|------|------|------|
| 10ft | 12ft | 14ft | 16ft | 18ft | 20ft | 22ft | 24ft |
| 4-Spring | | | | 5-Spring | | | |

Please Note: All Solid Tarp Fabrics Should Be Tied Down.

TarpMaster® Tarp Systems:

System: _____ **A. Roll-Rite. TarpMaster Tarp System**

Part #

B. Roll-Rite. Tarp Selection (specify by part number)

Part #

To ensure accuracy, orders for custom tarps (flapped, etc.) must be accompanied by an approved drawing.

OR Select by Component:

1. Select a Tarp Spool

Part #

2. Select a Pivot Set

Part #

3. Select a Bow Set

Part #

4. Roll-Rite. Tarp Selection (specify by part number)

Part #

To ensure accuracy, orders for custom tarps (flapped, etc.) must be accompanied by an approved drawing.

Add-Ons:

Options/Recommendations:

Tension Bow _____

Part #

30° or 45° Tarp Bow Offsets _____

Part #

10620 Contact Plates _____

Part #



Automated Covering Systems
A Safe Fleet Brand