

# Roll-Rite® Single Cable Series

Power Cable Tarp Systems



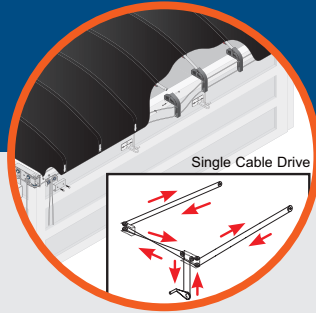
Super Slider or Top Slider  
for Trucks & Trailers



# Roll-Rite® Single Cable Series



Motor & Controller



Single Cable Drive



Pulleys & Cable



Bows & Bow Ends

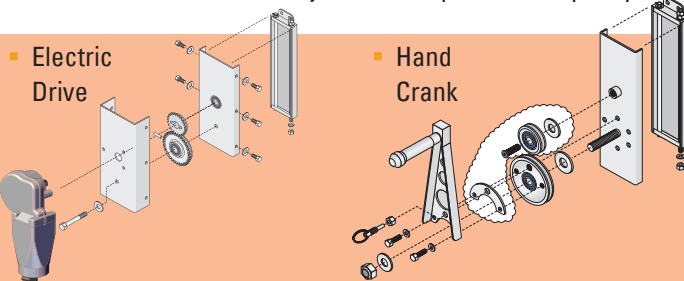
Quality, durable tarp components engineered for the demands of truck & trailer tarping.

## Power Single Cable Series Features Include:

- The Electric Motor & Controller:** Electric drive features our TarpMaster® gear motor with the industry's best non-prorated 5-year warranty. Amp sensing controller provides complete motor protection eliminating guesswork from the operator. System will shut down automatically if torque is too high, protecting system and motor from damage. Remote Control Fob with extended range antenna allows for driver to operate tarp from the safety and convenience of inside the cab or at a safe distance away from loading and unloading
- The Single Cable Drive:** Designed for a smooth, synchronized operation. The bows are attached to the same cable preventing misalignment or jamming of the rear bow. One piece continuous cable design and rear drive bow runs true to side rail providing the smoothest, most dependable jam free operation. Easy to adjust cable tension with the turn of a single bolt from a convenient, easy to access ground level location. Geared cable drive features unique design that wraps around 2 geared pulleys for better grip and less slipping of cable
- The Pulleys & Cable:** Quality materials and finish with all parts either aluminum or zinc plated steel for superior rust protection and better appearance. One piece V-grooved design pulleys are billet machined, case hardened, zinc plated steel and provide longer life, weather resistant, protection against rust and a professional looking profile. V-groove design is engineered for proper pulley to cable contact and grip, reducing slip on drive pulleys. Rear pulley features forward facing push style tension adjustment designed to keep pulleys parallel to the cable preventing binding and reducing friction for easier operation and easier adjustment. Improved rear pulley location reduces chance of incidental damage. Heavy Duty 1/4" Galvanized Steel Cable for durability and corrosion resistance. Features a 7x19 strand core for improved strength and life cycle of the cable, insuring minimal stretching of the cable. Properly fitted cable length is sized to fit each truck or trailer application
- The Bows:** Heavy Duty 16-gauge 1-1/8" galvanized bows are stronger, more durable, robust and corrosion resistant to last longer than competitive bows. Bows available in 6", 12" and 16" arch and in 97.5", 102.5", and 106.5" widths. Easy Maintenance with no need to remove ends from cable or change cable to replace bows or change tarps.
- The Bow Ends:** UHMW Removable Bow Ends are tough and durable to withstand rigors of asphalt, UV rays and harsh weather. Easier bow and tarp replacement with no need to remove cable.

## Drive Options:

Roll-Rite offers drive options to suit your truck or trailer needs:



- Rite-Touch™ Electric Kit**



## Applications & Benefits:

Roll-Rite Power Single Cable Series systems are ideal for transfer trucks with pups and end dump, belly dump and live bottom trailers.

- Low profile tarp operation reduces overhead clearance hazards and interference from windy conditions
- Safely control tarp operations from inside the cab, even on pup trailers

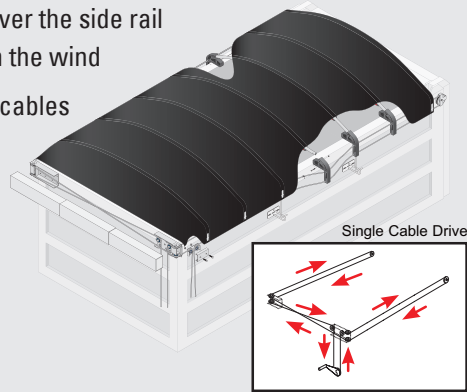


## Super Slider Series

Single Cable Drive:

The Super Slider SC System uses a single cable drive design for a smooth and jam free operation. The bows are attached to the same cable making it impossible for the rear bow to become misaligned.

- Weatherproof Design... The sliders bring the tarp down over the side rail about 5-1/4". This also prevents the tarp from whipping in the wind
- Clean Profile... Nice appearance with hidden sliders and cables



## Top Slider Series

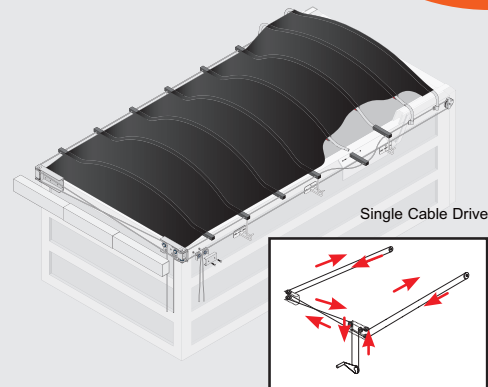
Single Cable Drive:

The Top Slider SC System uses a single cable drive design with a tarp that covers the top of the opening. The UHMW sliders and single cable design make this the most dependable Top Slider cable system available.

- Longer Tarp Life... Heavy Duty webbing is sewn along the edge of the tarps to add wear protection in this critical area. The tarp lasts longer because it doesn't rub on the top rails
- High Lift Gate Bow Option... High lift Gate Bows for trailers with high-lift gates are available



- High Lift Gate Bow Option



## Radius Mounting Brackets & Bow Options:



▪ Radius Nose Trailer Corner Kit



▪ Radius Nose Trailer Motor Mounting Bracket



▪ Bow Arches - 6", 12", 16" high and 97.5", 102.5", 106.5" widths



## The Cable Tarp:

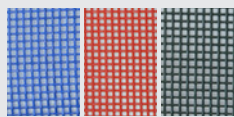
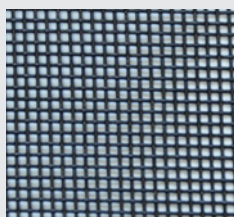
Anti-Lift Hook Kits

Bolt-on 2-piece Back Flap

Rear Bonnet

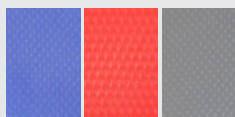
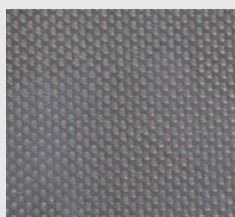
- Seamless, single piece construction with reinforcements in high wear areas provides a more robust, longer life tarp
- Front of tarp tapers up from the front header to the desired bow height, reducing drag and increasing fuel economy
- Rear finish options allow systems to be tailored to your trailer. 2-piece rear flap prevents bulldozing of load. Rear bonnet allows for fully automatic tarp operation
- Anti-Lift Hook Kits: universal kits prevent tarp from lifting due to wind

## Tarps By Roll-Rite®



Mesh

- Load Type: Sand, Rock, Aggregates, Refuse
- Fabric: High quality vinyl coated polyester mesh
- Key Benefit: Open weave design allows air to flow through without billowing



18oz Vinyl

- Load Type: Moisture or temperature sensitive such as asphalt, scrap, grain and fertilizer
- Fabric: 18 oz. waterproof vinyl
- Key Benefit: Seamless full width waterproof material used when a load needs to be kept mostly dry or maintain a temperature range



Aerodynamic Tapered Front



Maximum Load Clearance: Tarp retracts to clear over 95% load zone

**Fabric Note: Colors other than black may require additional lead times or costs.**



RollRite.com • 800.297.9905

302-RR-SingleCableOverview-4PG-20240211

Copyright ©2024 Safe Fleet and its subsidiaries. All rights reserved. No part of this publication may be reproduced by any means without written permission from Safe Fleet. The information in this publication is believed to be accurate. However, Safe Fleet does not make any representation or warranty to that effect and does not assume responsibility for any consequences resulting from use of such information. Revisions or new editions of the publication may be issued (or not issued) in our discretion to incorporate such changes.

1.877.630.7366  
safefleet.net

SAFE FLEET  
Driving Safety Forward™