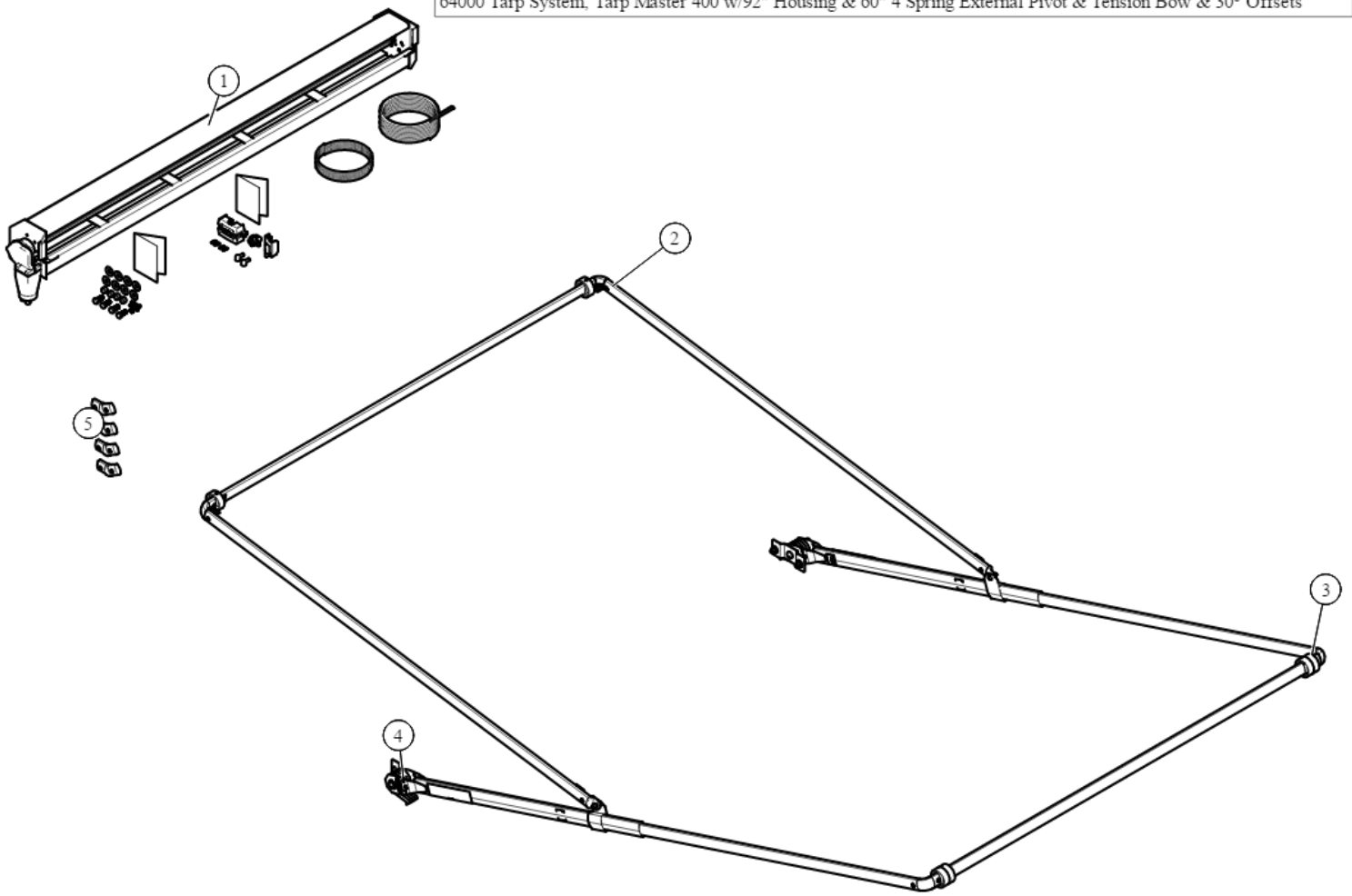


TM400. 92" Housing. 4 Spring 60" Ext Pivot. Bow Set. Tension
Bow

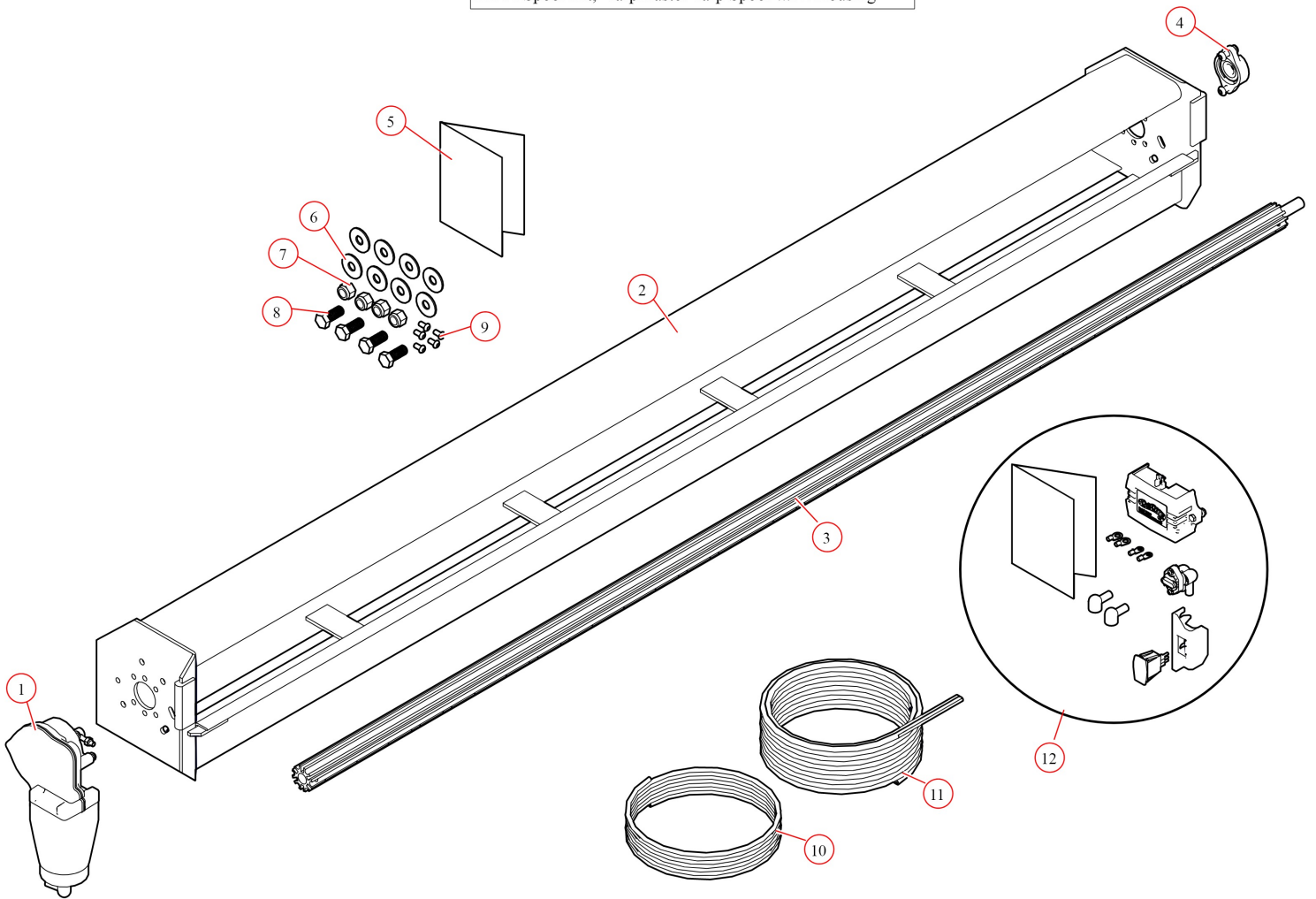
Part Number: 64000

64000 Tarp System, Tarp Master 400 w/92" Housing & 60" 4 Spring External Pivot & Tension Bow & 30° Offsets



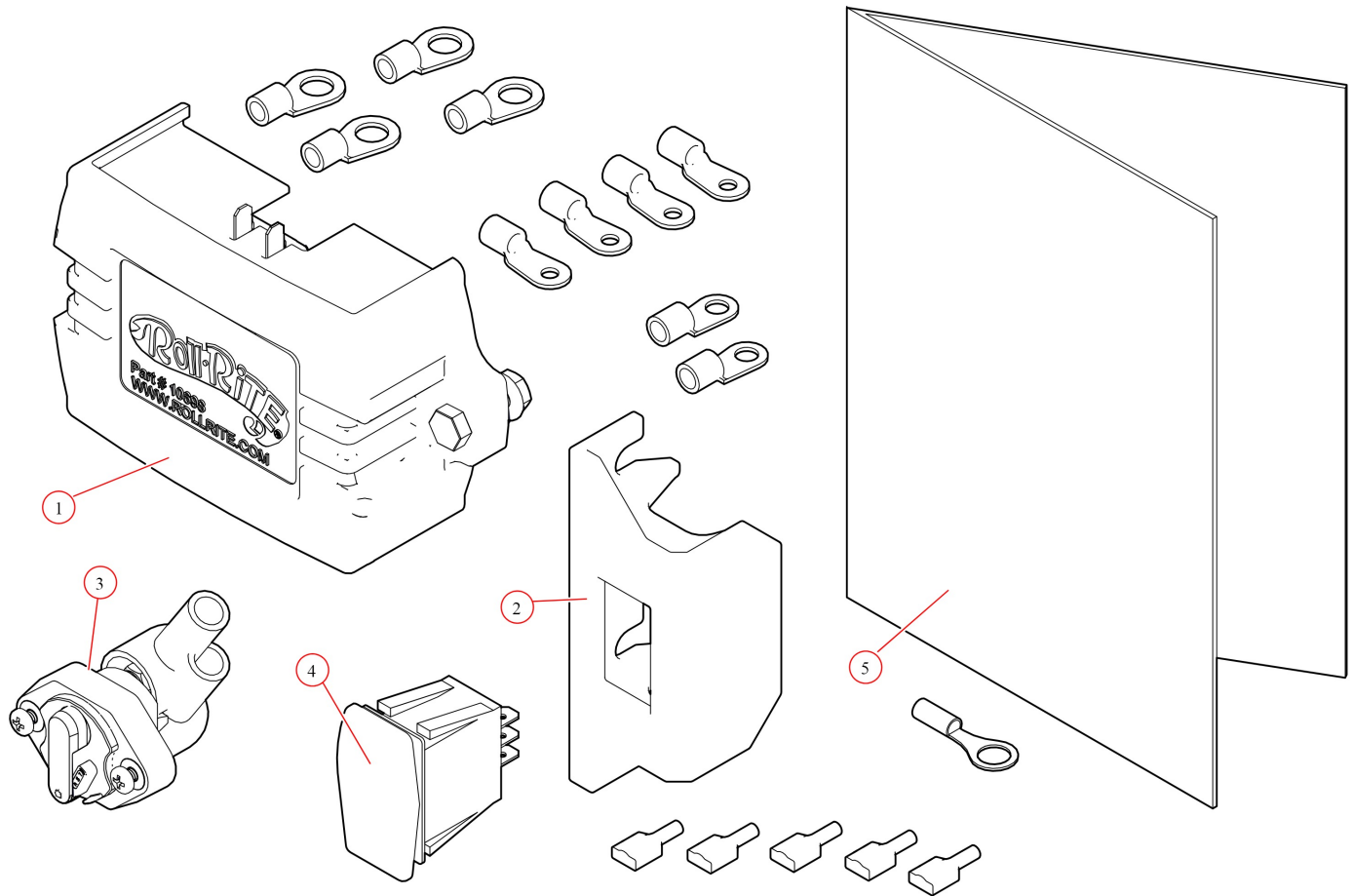
Bom ID	Part#	Description	qty
1	36010	Spool Kit. TarpMaster Tarp Spool w/92" Housing - S/N: TM	1
2	76700	Bow Set. 98" Wide Top Tube w/ 98" Side Arms	1
3	76710	Bow Set. Tension Bow 98" Wide Top Tube w/ 98" Side Arms	1
4	46440-60	Pivot Set. 4 Spring w/ 60" Aluminum Pivot Tube	1
5	76900	Casting. Aluminum 30 Flat Elbow	4

36010 Spool Kit, TarpMaster Tarp Spool w/92 Housing



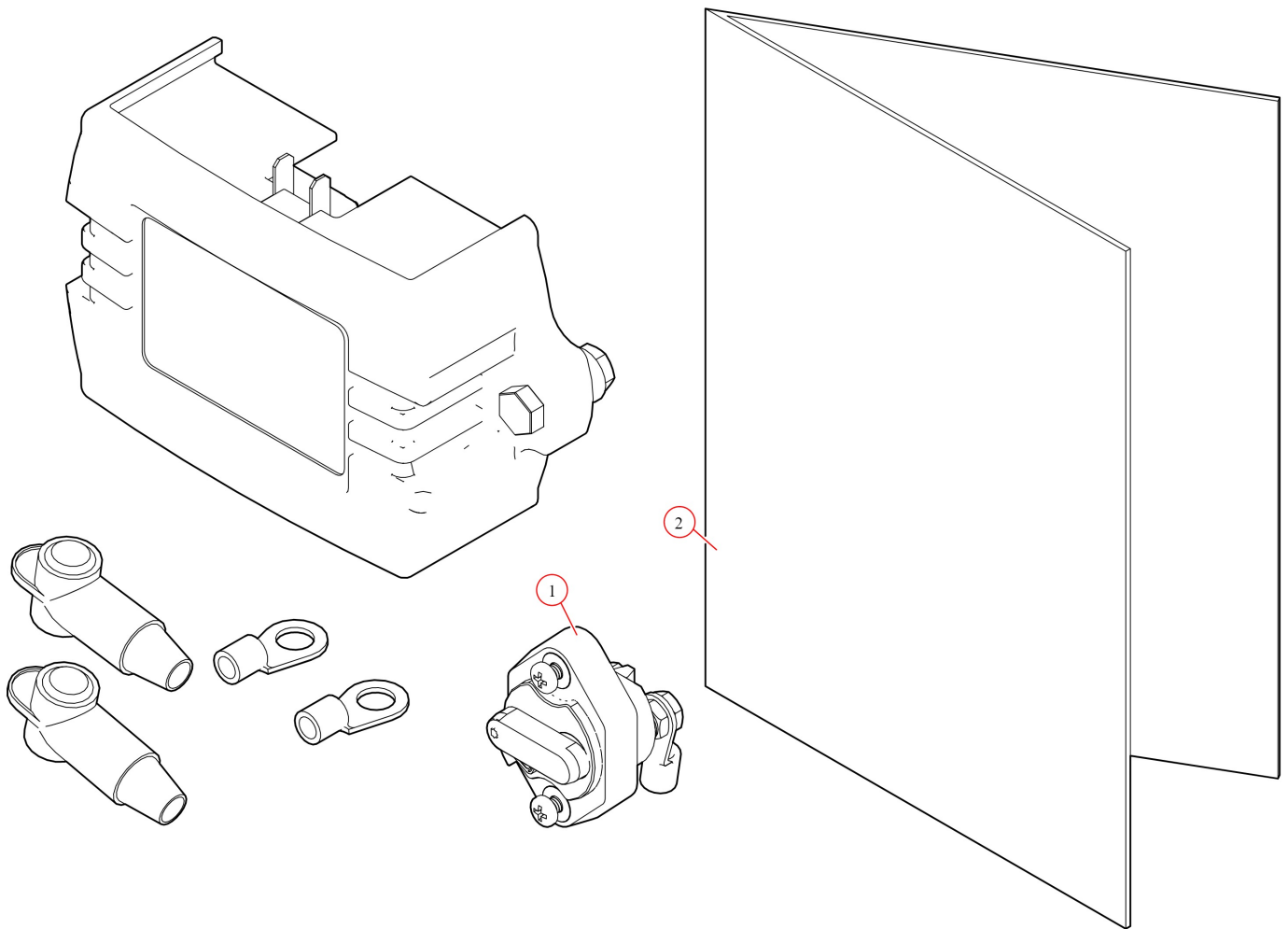
Bom ID	Part#	Description	qty
1	10310	TarpMaster Motor 12V. 5 Year Warranty :S/N:	1
2	36150	Housing. Spool 92" Aluminum Replacement Housing	1
3	31020	Axle. 91" Pre-Threaded Aluminum Tarp w/Stub Shaft	1
4	31050	Bearing. 3/4" Flanged Axle Bearing with bolts	1
5	101501	Instructions. Front to Back Installation	1
6	18414	Washer. 5/8" Flat Zinc	8
7	18635	Nut. 5/8" Nylock Nut	4
8	18710	Bolt. 5/8" x 1 1/2" Bolt Zinc	4
9	18260	Bolt. 5/16" x 5/8" Button Head Bolt - Zinc Plated	5
10	11411	Wire. 16/3-Conductor - 15ft	1
11	100743	Wire. 8 ga. Dual Conductor(55')	1
12	10914	Electric Kit. With 10698 12V Relay and Rocker Switch	1

10914 Electric Kit, With 10698 Relay and Rocker Switch



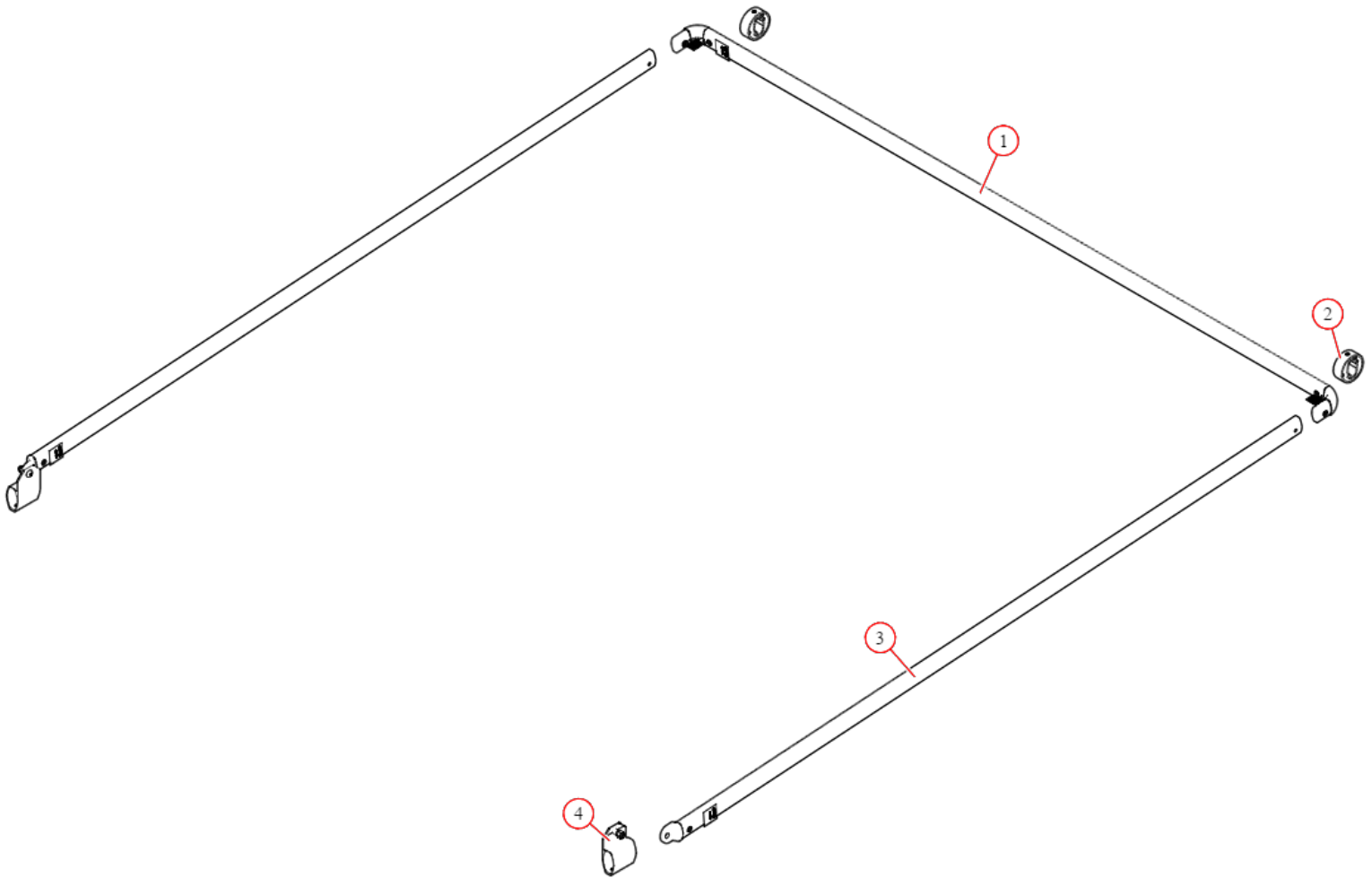
Bom ID	Part#	Description	qty
1	10695	Relay Kit. HD Mechanical Relay w/ 35 Amp Manual Reset Breaker &...	1
2	19300	Switch. Rocker (Open/Close)	1
3	10390	Bracket. Mounting for Rocker Switch	1
4	101784	Instructions. 10698 12 volt wiring Diagram	1

10695 Relay, HD(12V) w/ 35 amp Manual Reset Breaker & Terminal



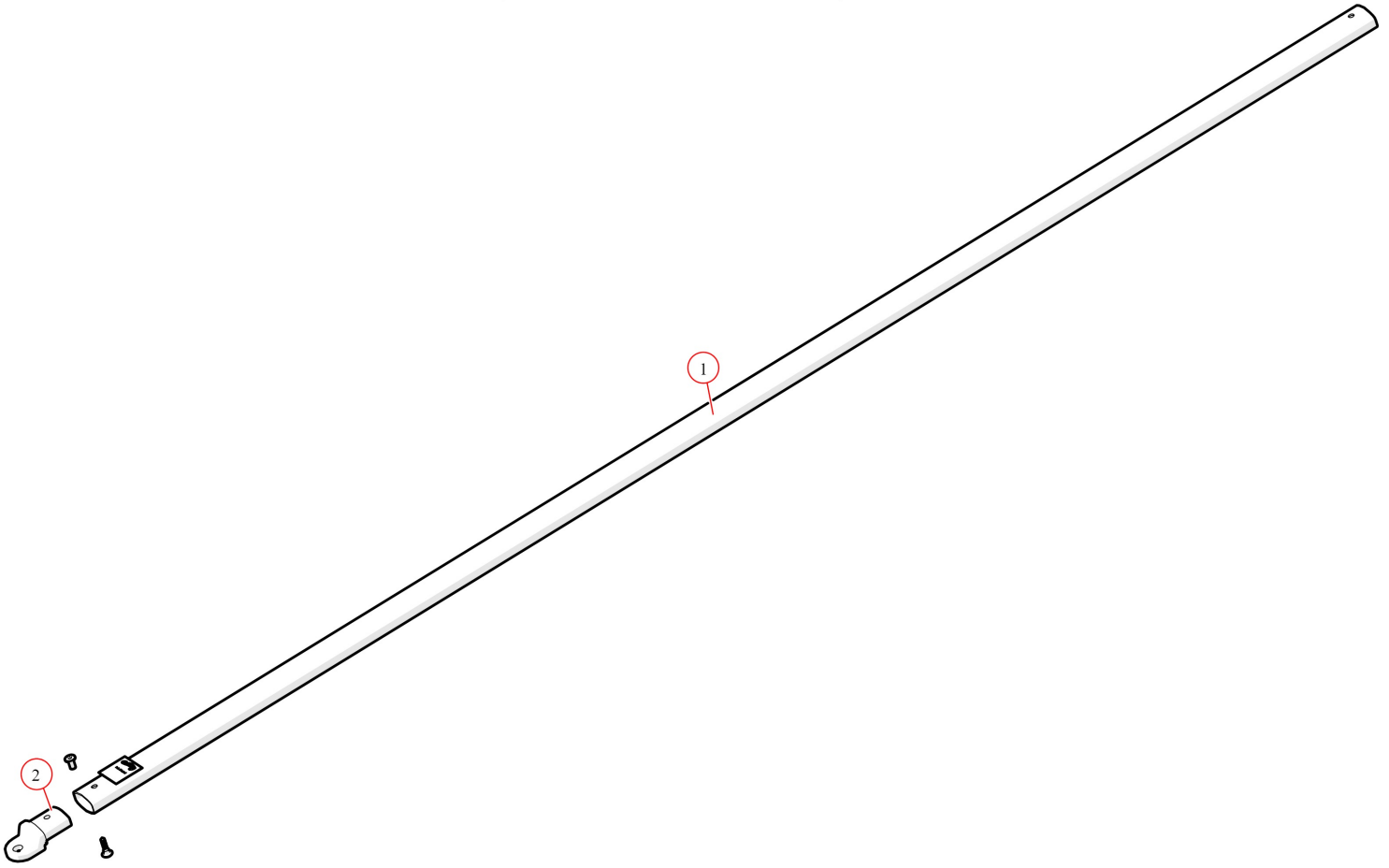
Bom ID	Part#	Description	qty
1	17918	Breaker. 35A Outdoor Manual Reset Circuit Breaker	1
2	101784	Instructions. 10698 12 volt wiring Diagram	1

76710 Bow Set, Tension Bow 98" Wide Top Tube w/ 98" Side Arms



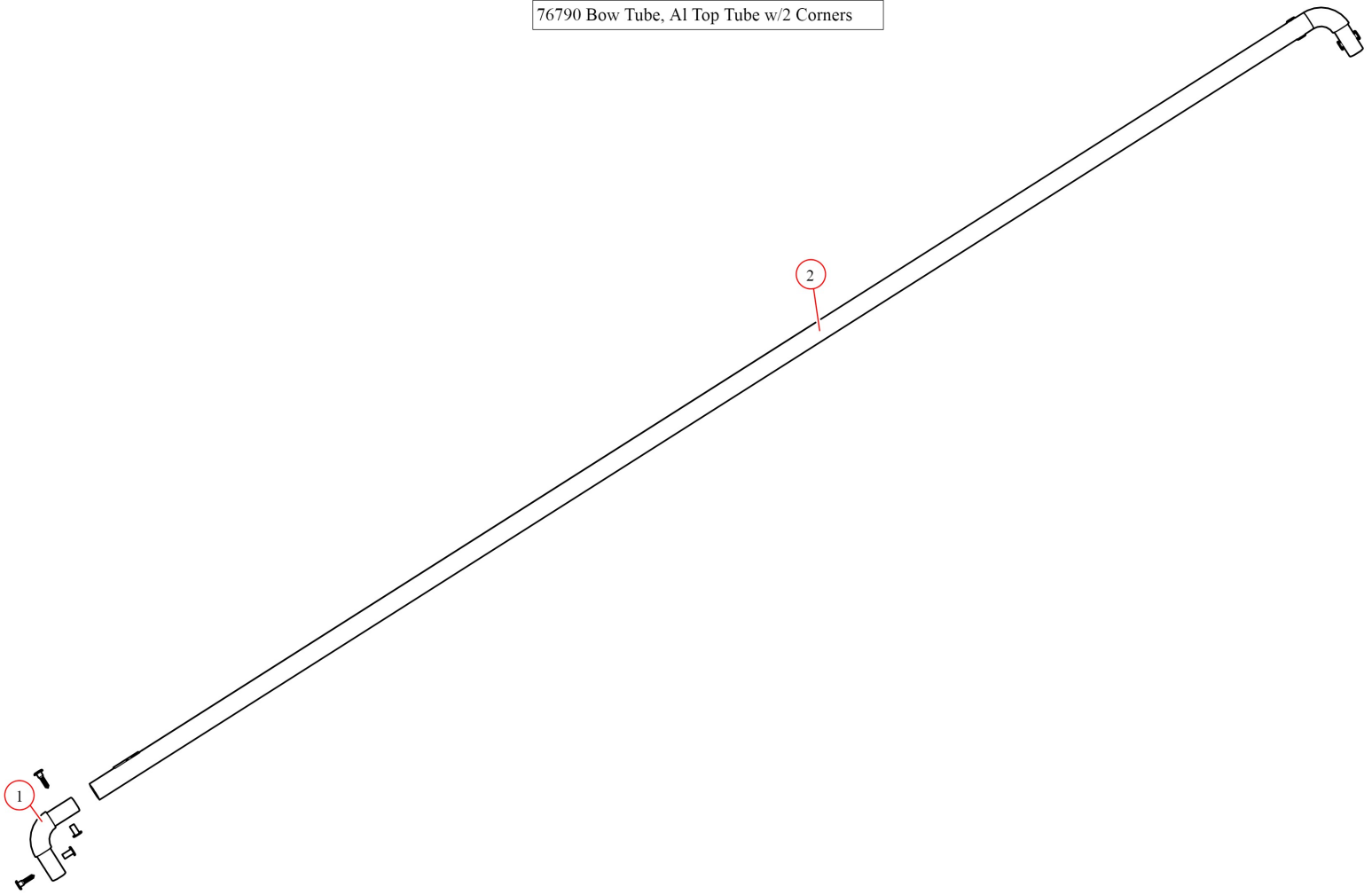
Bom ID	Part#	Description	qty
1	76790	Bow Tube. Tension Bow Top Tube w/ 2-Corners	1
2	76810	Tarp Flange for Bow Tube (Pair)	1
3	76780	Bow Tube. Tension Bow Side Arm w/ End Tab	2
4	76830	Bracket. AL Tension Bow Mount Bracket w/ hardware	2

76780 Bow Tube w/End Tab, Hardware



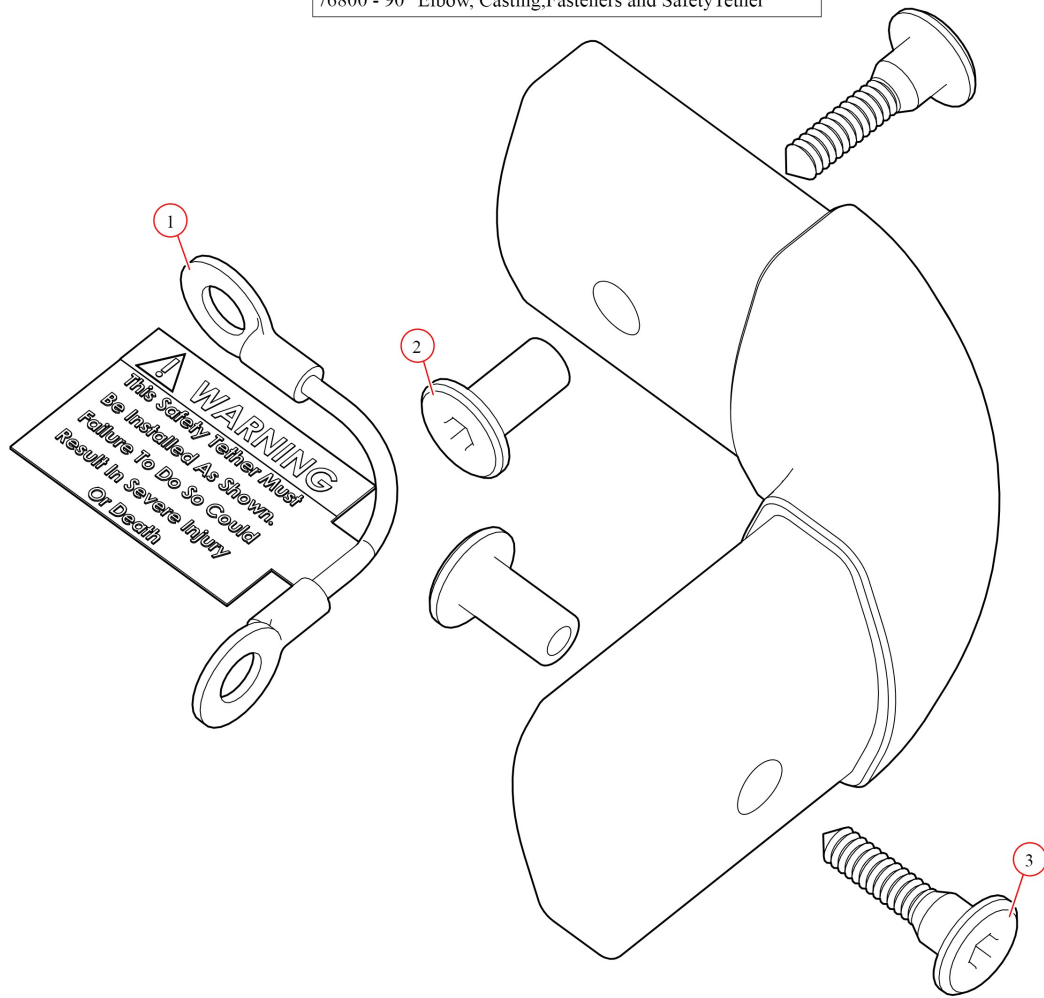
Bom ID	Part#	Description	qty
1	76770	Bow Tube. 98" AL Top Tube for Tarp Bow	1
2	76820	Bow Tube. Tension Bow End Tab - Aluminum w/Fasteners	1

76790 Bow Tube, Al Top Tube w/2 Corners



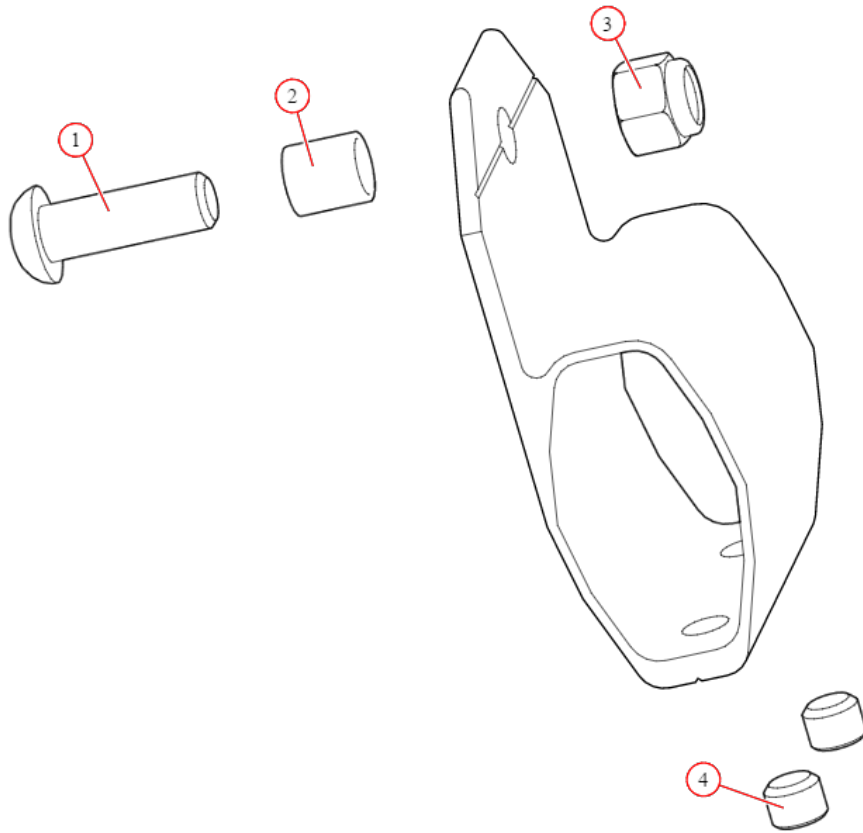
Bom ID	Part#	Description	qty
1	76800	Casting. Aluminum Corner - 90 Degree With Fasteners and Tether	2
2	76770	Bow Tube. 98" AL Top Tube for Tarp Bow	1

76800 - 90° Elbow, Casting, Fasteners and Safety Tether

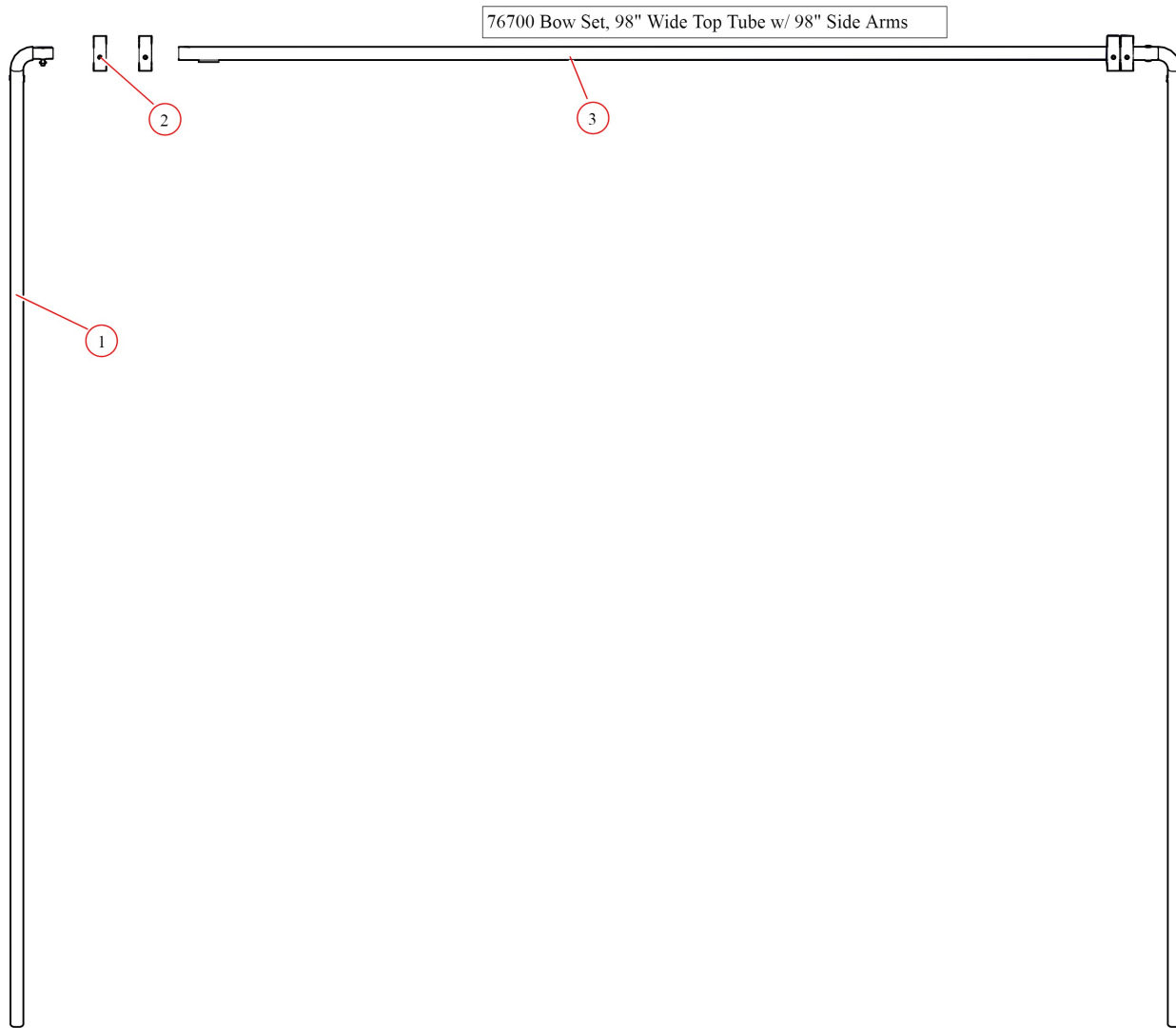


Bom ID	Part#	Description	qty
1	103533	Tether. Cable with Install Label for 90 degree corner	1
2	18719	Nut. 1/4-20 Cap Conn Nut Clear Zinc - Post bolt for 90 degree corne...	2
3	18718	Bolt. 1/4-20 x 1 3/16 Bolt Clear Zinc - Post bolt for 90 degree corners	2

76830 Bracket, Tension Bow Mount Bracket

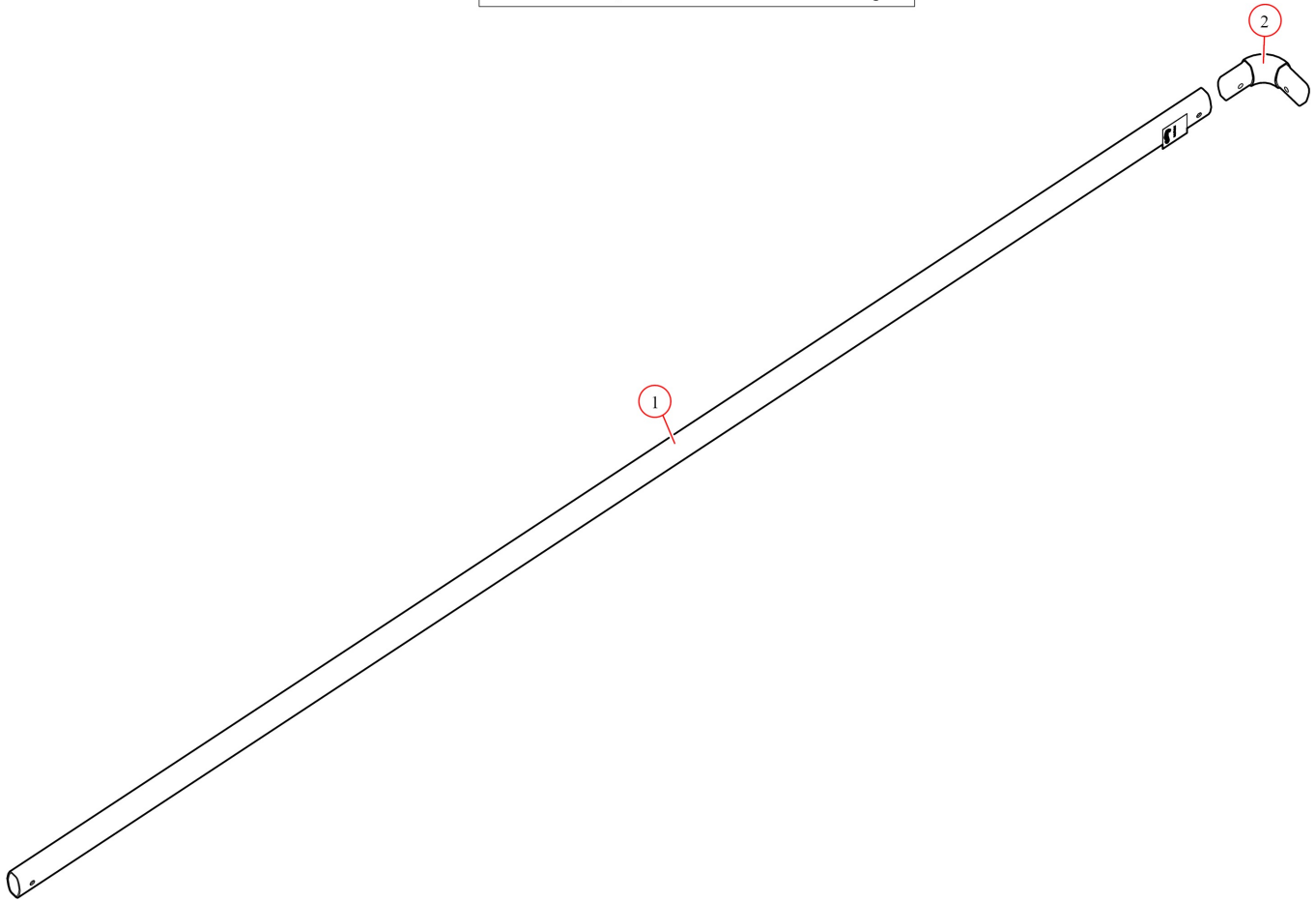


Bom ID	Part#	Description	qty
1	18295	Bolt. 1/2" x 1 1/2" Button Head Bolt	1
2	18131	Bolt. 1/2" x .620 x .650 steel spacer (to replace Ribbed Neck Carriag...	1
3	18631	Nut. 1/2" Nylock Nut	1
4	18293	Screw. 1/2" x 3/8" Set Screw	2



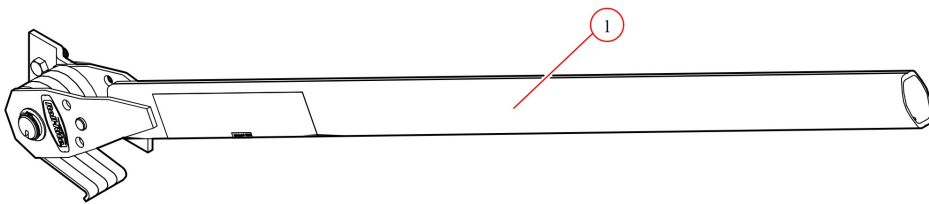
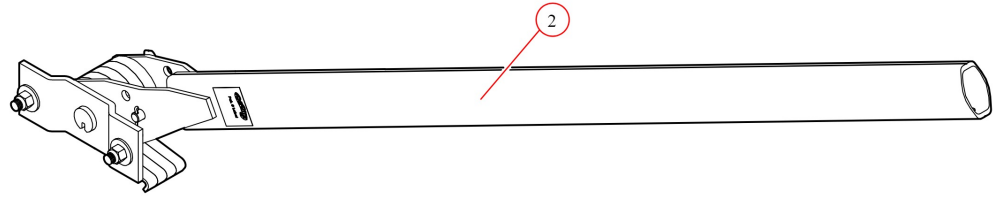
Bom ID	Part#	Description	qty
1	76770	Bow Tube. 98" AL Top Tube for Tarp Bow	2
2	76810	Tarp Flange for Bow Tube (Pair)	2
3	76760	Bow Tube. 98" Side Arm w/ 90 Corner	2

76760 Bow Tube, 98" AL Side Arm W. Corner tarp



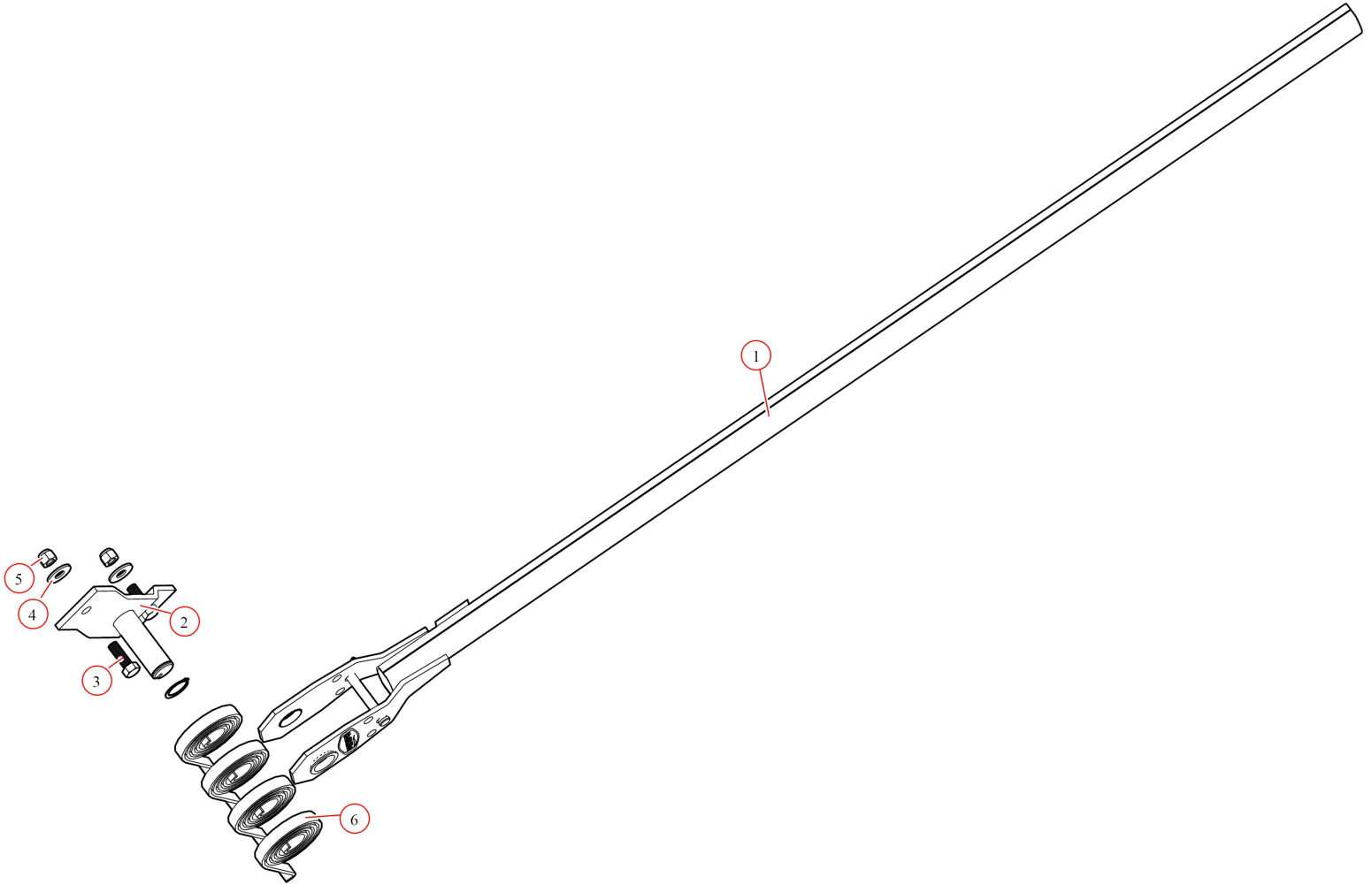
Bom ID	Part#	Description	qty
1	76770	Bow Tube. 98" AL Top Tube for Tarp Bow	1
2	76800	Casting. Aluminum Corner - 90 Degree With Fasteners and Tether	1

46440-60 Pivot Set, 4 Spring w/ 60" Aluminum Pivot Tube



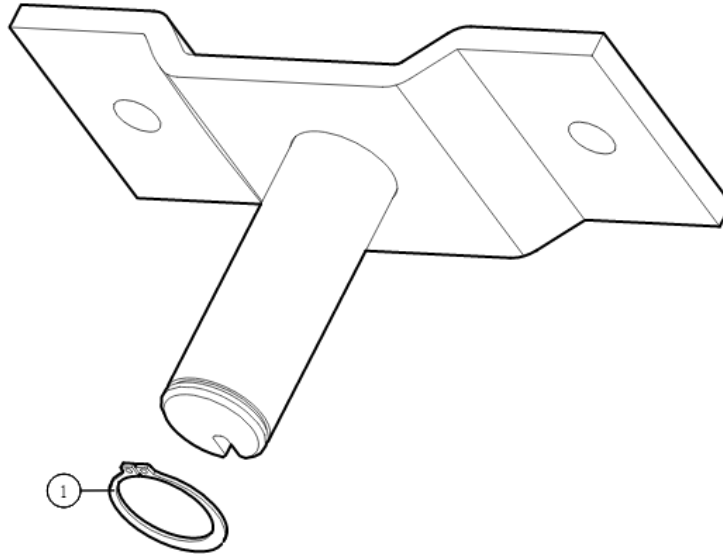
Bom ID	Part#	Description	qty
1	4644D-60	Pivot. Drv-4 Spring Torsion AL - 60" Pivot Tube	1
2	4644P-60	Pivot. Pass-4 Spring Torsion AL - 60" Pivot Tube	1

4644D-60 Pivot Arm Driver Side 4 Spring



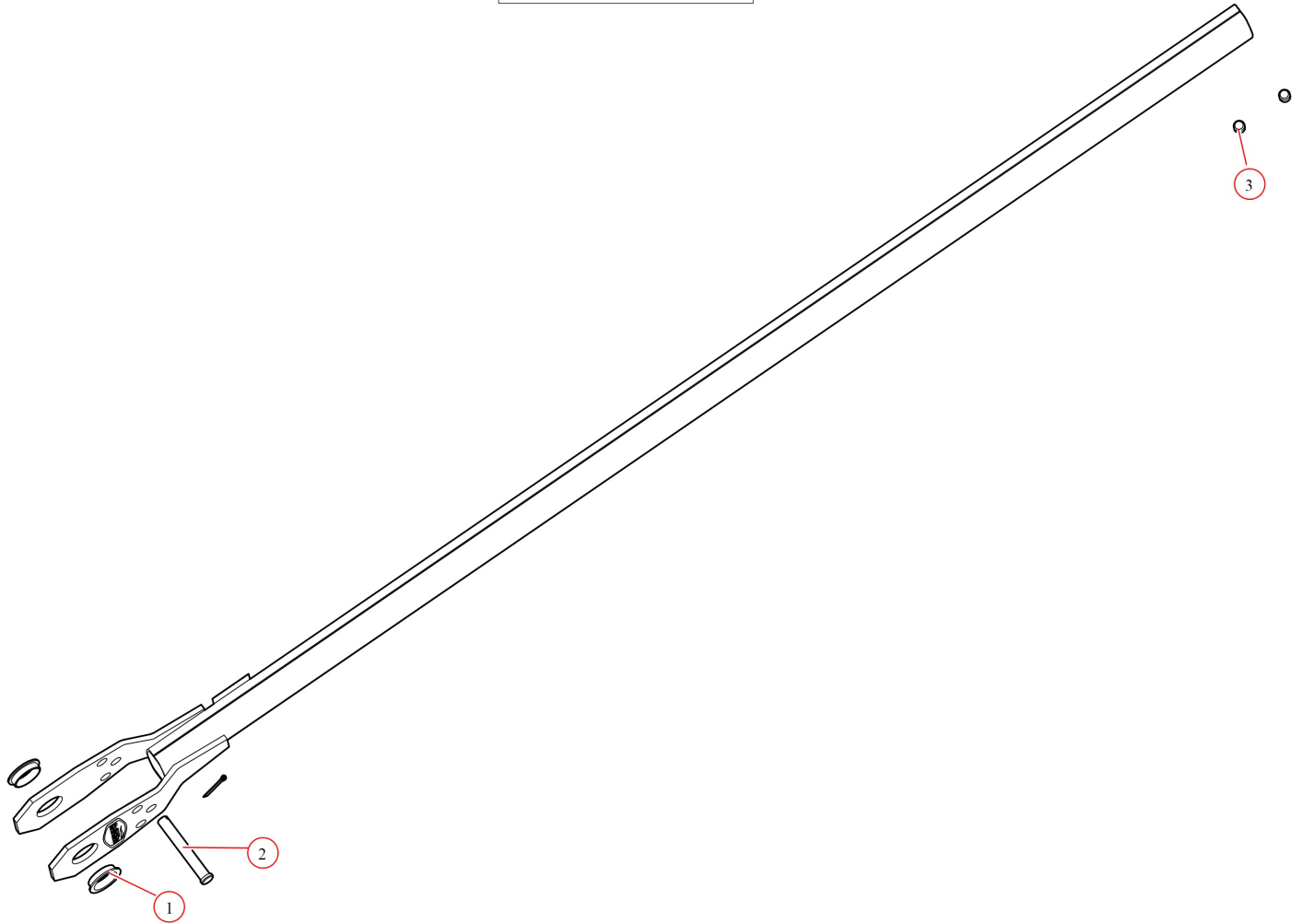
Bom ID	Part#	Description	qty
1	46140-60	Pivot Tube. AL 4 Spring Arm Only 60"	1
2	45340	Pivot Pin. 4-Spring with 47000 snap ring	1
3	18296	Bolt. 1/2" x 1 1/2" Hex Head Bolt	2
4	18412	Washer. 1/2" Flat Zinc	2
5	18631	Nut. 1/2" Nylock Nut	2
6	47230	Spring. Spiral Torsion Spring 1 1/4"	4

45340 Pivot Pin



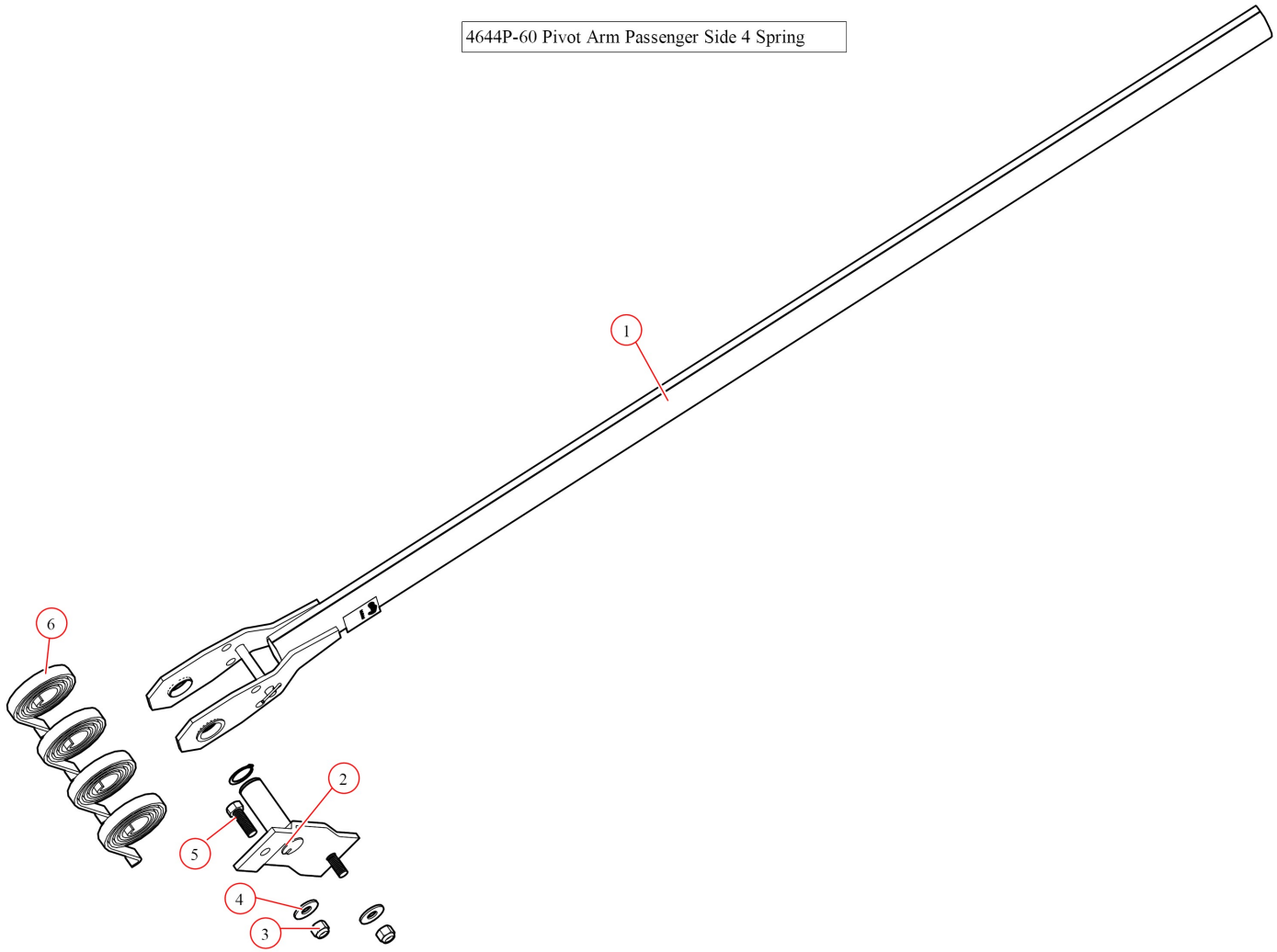
Bom ID	Part#	Description	qty
1	47040	Bushing. 1 1/4 Poly T- Bushing for Pivot Pin	1

46140-60 Pivot Tube 4 Spring



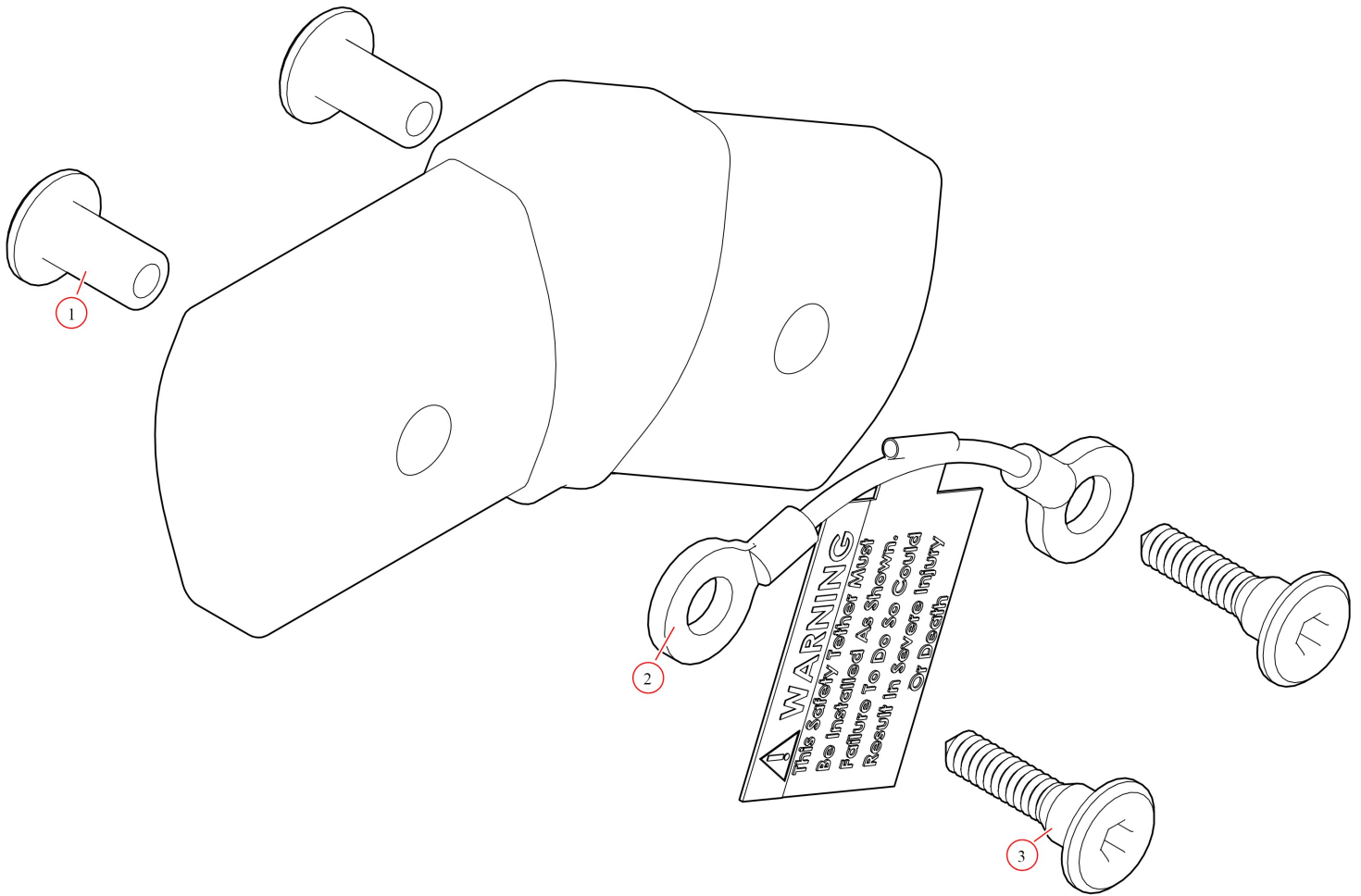
Bom ID	Part#	Description	qty
1	47040	Bushing. 1 1/4 Poly T- Bushing for Pivot Pin	2
2	18520	Pin. 1/2" x 3-1/2" Clevis	1
3	18293	Screw. 1/2" x 3/8" Set Screw	2

4644P-60 Pivot Arm Passenger Side 4 Spring



Bom ID	Part#	Description	qty
1	46140-60	Pivot Tube. AL 4 Spring Arm Only 60"	1
2	45340	Pivot Pin. 4-Spring with 47000 snap ring	1
3	18631	Nut. 1/2" Nylock Nut	2
4	18412	Washer. 1/2" Flat Zinc	2
5	18296	Bolt. 1/2" x 1 1/2" Hex Head Bolt	2
6	47230	Spring. Spiral Torsion Spring 1 1/4"	4

76900 - 30° Aluminum Flat Elbow w/ Bolts



Bom ID	Part#	Description	qty
1	18719	Nut. 1/4-20 Cap Conn Nut Clear Zinc - Post bolt for 90 degree corne...	2
2	103766	Tether. Cable with Install Label for offset Elbows	1
3	18718	Bolt. 1/4-20 x 1 3/16 Bolt Clear Zinc - Post bolt for 90 degree corners	2